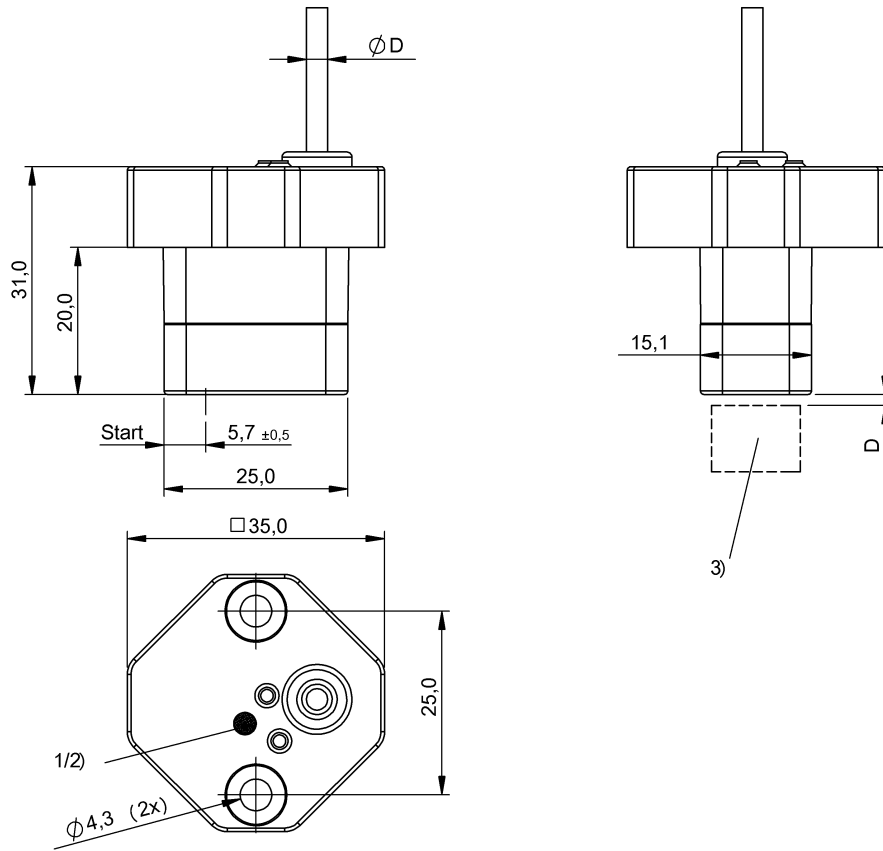


BIP LD2-T014-01-EP02  
BIP0007



1) LED function indicator 2) LED function indicator 3) Encoder



## Display/Operation

Diagnostics	no
Function indicator	Adjustment indicator
Power indicator	no

## Electrical connection

Cable diameter D	3.00 mm
Cable length	2 m
Conductor cross-section	0.14 mm <sup>2</sup>
Connection type	Cable, 2.00 m, PUR
Number of conductors	3
Polarity reversal protected	yes
Short-circuit protection	yes

## Electrical data

MTTF (40 °C)	200 a
No-load current I <sub>o max.</sub> at U <sub>e</sub>	20 mA
Operating voltage U <sub>b</sub>	18...30 VDC
Pollution degree	3
Protected against miswiring	yes
Rated insulation voltage U <sub>i</sub>	75 V DC

Rated operating voltage U<sub>e</sub> DC 24 V

## Environmental conditions

Ambient temperature	-25...70 °C
Protection type IEC 60529	IP67

## Functional safety

Diagnostic coverage	0.0 %
Functional safety	no
Mission Time	20 a

## General data

Basic standard	BWN PR 44 IEC 60947-5-2 IEC 60947-5-7
----------------	---

## Material

Cable shield	no
Housing material	PA
Material jacket	PUR
Material sensing surface	PA

BIP LD2-T014-01-EP02  
BIP0007

Ripple max. (% of Ue)

10 %

## Mechanical data

Tightening torque max. 0.5 Nm

## Range/Distance

Measuring range 0...14 mm  
Non-linearity max.  $\pm 250 \mu\text{m}$   
Range 0...14 mm  
Repeat accuracy 0.5 % FS

## Remarks

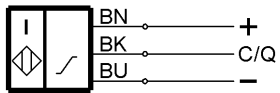
Please refer to manual.

Specification applies to the recommended position encoders BAM TG-XE-001D = 2 mm BAM TG-XE-002 D = 2 mm

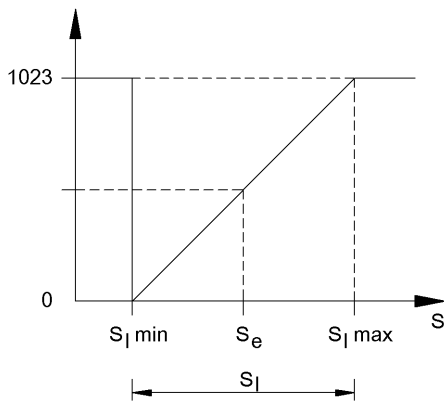
For further information on MTTF/B10d, please refer to the MTTF / B10d Certificate.

Specification of the MTTF value and the B10d value do not represent any binding quality and/or life expectancy guarantees.

## Wiring Diagram



## Diagram



## Additional View

### Process Data

Byte 0								Byte 1							
7	6	5	4	3	2	1	0	7	6	5	4	3	2	1	0
MSB	Analog value							LSB	0	0	0	0	0	0	Out of Range

### Identification Data

DPP Index	SPDU Index / Sub Index		Object name	Length	Range	Default value
0x07			Vendor ID	2 Byte	read only	0x0378
0x08						
0x09			Device ID	3 Byte		0x020302
0x0A						
0x0B						
0x10	0	Vendor name	7 Byte	BALLUFF		
0x11	0	Vendor text	15 Byte	www.balluff.com		
0x12	0	Product name	19 Byte	BIP LD2-T014-01-EP02		
0x13	0	Product ID	7 Byte	BIP 0007		
0x14	0	Product text	37 Byte	Inductive Positioning Sensor 0...14mm		
0x16	0	Hardware Revision	3 Byte	1.0		
0x17	0	Firmware Revision	3 Byte	1.0		